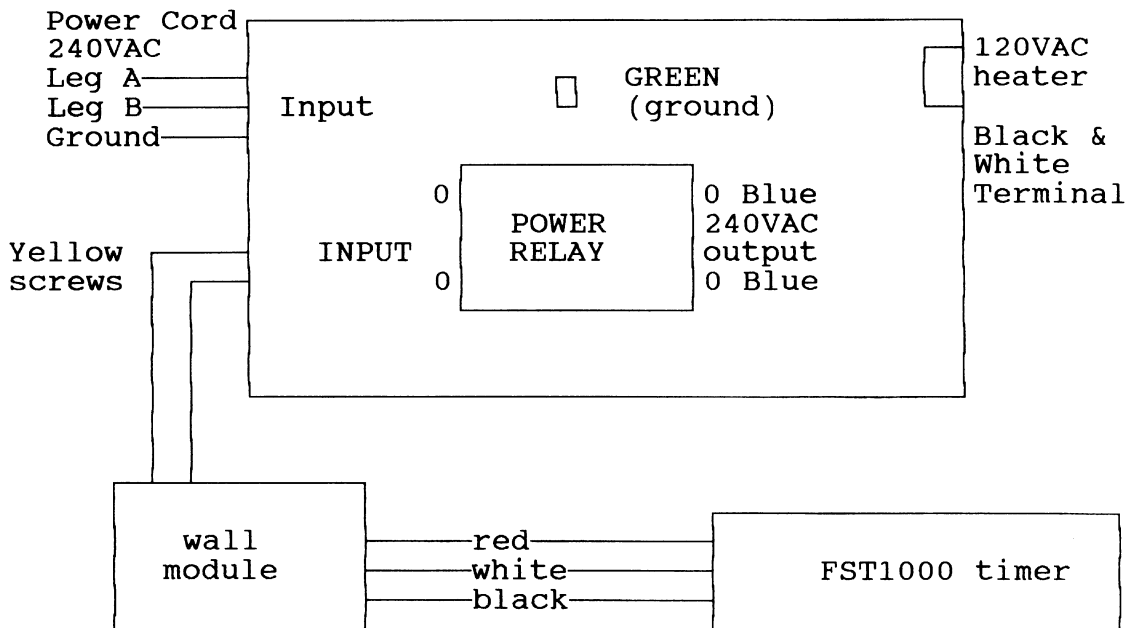


RELAY BOX CONNECTION.

1. Hard wire the power cord to the wall.
2. Connect power cord of the massage to output terminals.
Ground the green wire to GROUND.
Black and white terminals are for heater connections.
Blue terminals are for pump and blower connections.
3. Connect YELLOW terminals to YELLOW terminals on wall module.



4. Connect RED, WHITE and BLACK from wall module to FST1000 timer.
5. Plug AC adaptor to AC outlet.
6. Set time with SET button.
7. Press START button to start bed.
(press START button during a session will pause it).
8. Solid State relay on wall module is rated @ 2A, from 20VAC to 280VAC.

